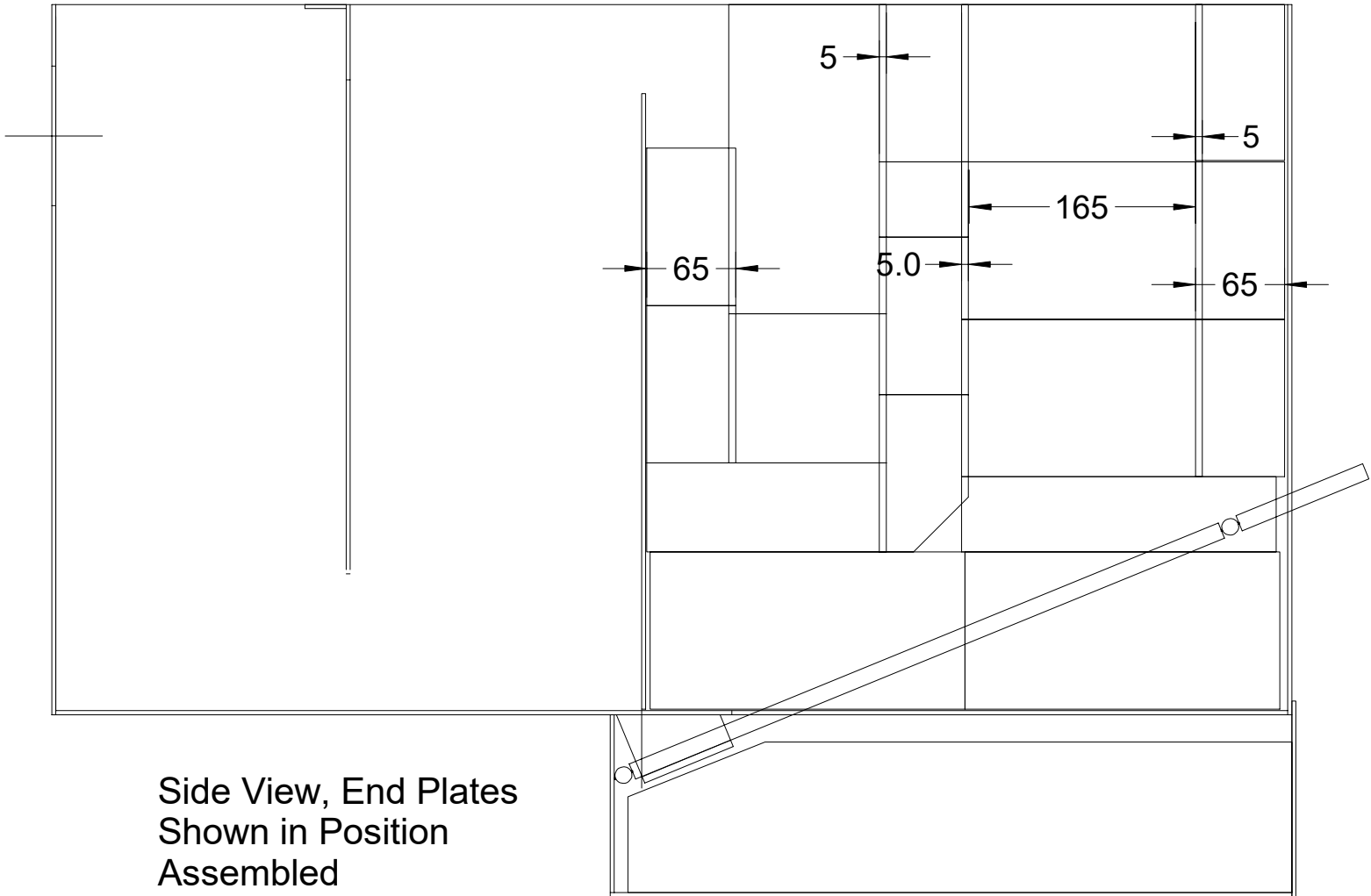


Dwg. TJ4.1.42.15
Bricks In

Model 4 A and B
Version 1.42
23 Feb 2017

C Pemberton-Pigott

Bricks



Side View, End Plates
Shown in Position
Assembled